

# UN-1604ZJ

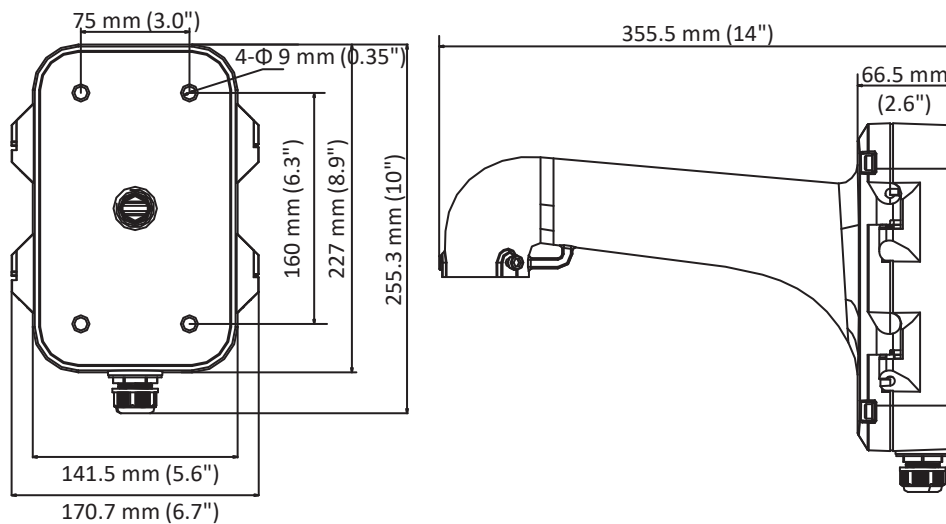
## Wall Mounting Bracket for Speed Dome



### Feature

- Wall mounting bracket with the junction box
  - Aluminum alloy material with surface spray treatment
  - Waterproof design
  - Junction box supports bottom outlet and back outlet
  - The hook for safety rope facilitates speed dome's installation
- Dimension

### Dimension



### Parameter

	Model	UN-1604ZJ
Parameters		Wall Mounting Bracket for Speed Dome
Appearance		United White
Material		Aluminum Alloy
Dimension		355.5 mm × 255.3 mm × 170.7 mm (14" × 10" × 6.7")
Weight		2150 g (4.7 lb.)

### Note

- The bracket should be installed on the flat surface.
- Waterproof rubber is necessary for the outdoor application.
- The wall must be capable of supporting at least 3 times as much as the total weight of the speed dome and the bracket.
- The bracket's maximum load capacity is 10 KG (22 lb.).

